

SPECIFICATION

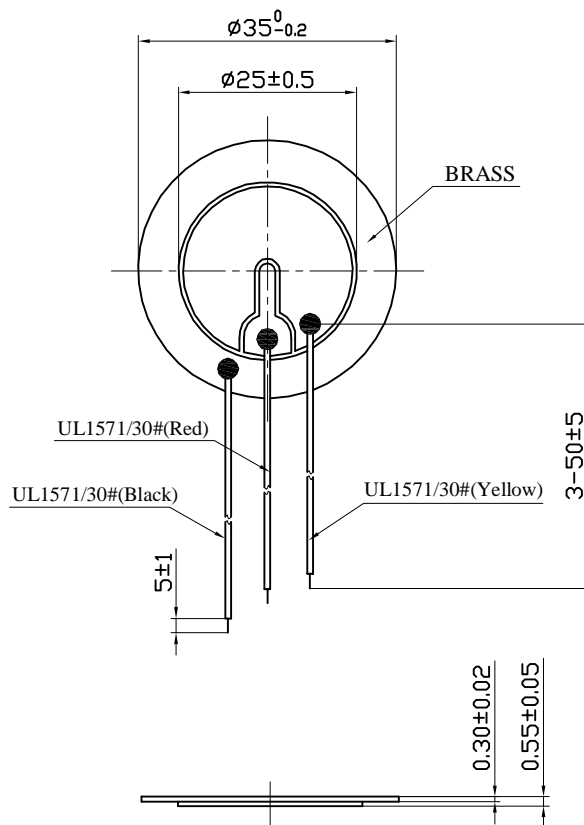
1. SCOPE

This specification is applied to the piezo-element.

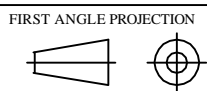
2. SPECIFICATION

(at 25°C)

2.1 Resonant Frequency	:	2.8 ± 0.5 KHz
2.2 Resonant Resistace	:	250 Ω max
2.3 Capacitance	:	30000 pF ± 30% at 100Hz
2.4 Input Voltage	:	30 Vp-p max
2.5 Operating Temperature	:	-20~+50°C
2.6 Storage Temperature	:	-20~+70°C
3. DIMENSION	:	as per figure



TOLERANCES UNLESS NOTED OTHERWISE .X ± .XX ± .XXX ± 90° FORMED +2° ANGLES -1°	DRAWN		KEPO MODEL NO.	CUSTOMER			
	DESIGN		MFT-35T-2.8BL	CUSTOMER NO.			
	CHECKED						
	APPROVED		DWG NO.	VER	1.1	SCALE	
	DATE	06.03.09	KP3.844.773.01	UNIT	mm	SHEET	
	CONTRACT NO.			KEPO CO.,LTD. TEL:(+86)574-88370330 FAX:(+86)574-88370329			
AGENCY APPROVAL							



1

2

3

4